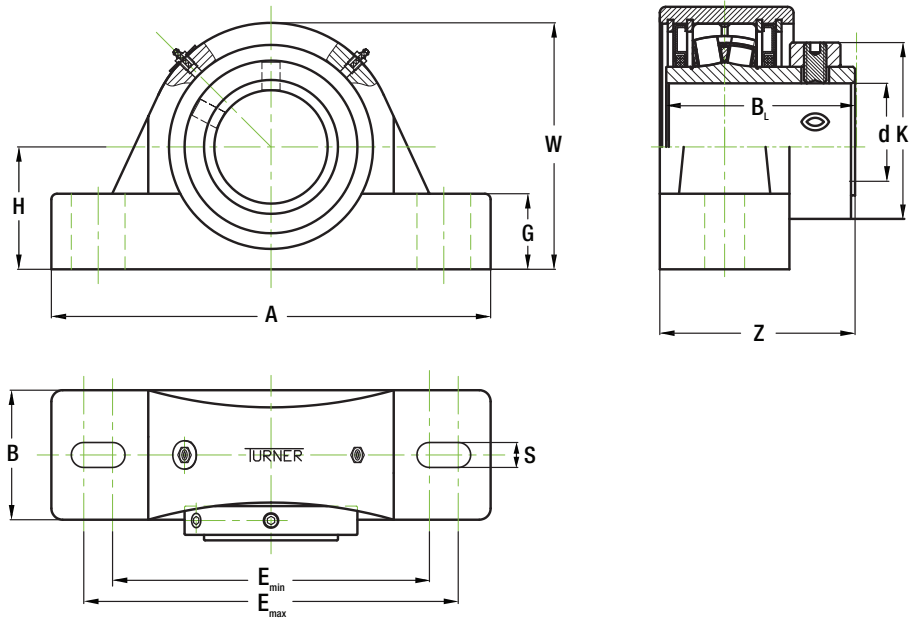


SPB2 SERIES

SPHERICAL ROLLER BEARINGS



Bearing Number	Dimensions (in.)												Dynamic Load Capacity Cr (lbs.) (KN)	Static Load Capacity Cor (lbs.) (KN)
	d	H	A	E _{min}	E _{max}	B	S	G	W	Z*	B _L	K		
SPB2 1-15/16T	1-15/16	2.250	8.375	5.938	6.563	2.313	0.750	1.375	4.563	3.031	2.875	2.875	20,460 91.0	25,630 114.0
SPB2 2T	2													
SPB2 2-3/16T	2-3/16	2.500	8.875	6.438	7.063	2.313	0.750	1.625	5.000	3.156	3.125	3.250	23,600 105.0	28,325 126.0
SPB2 2-1/4T	2-1/4													
SPB2 2-7/16T	2-7/16	2.750	9.250	6.813	7.438	2.563	0.750	1.750	5.688	3.406	3.375	4.000	37,630 167.4	46,960 208.9
SPB2 2-1/2T	2-1/2													
SPB2 2-11/16T	2-11/16	3.250	10.438	7.813	8.438	2.563	0.875	2.250	6.438	3.656	3.625	4.500	41,590 185.0	53,050 236.0
SPB2 2-3/4T	2-3/4													
SPB2 2-15/16T	2-15/16													
SPB2 3T	3													
SPB2 3-7/16T	3-7/16	3.750	13.000	9.250	10.750	2.938	1.000	2.250	7.500	4.063	4.032	5.125	63,280 281.5	84,100 374.1
SPB2 3-15/16T	3-15/16	4.125	14.250	10.000	11.750	3.313	1.125	2.500	8.438	4.625	4.594	6.000	84,410 375.5	112,580 500.8

*Dimensions listed are for non-expansion units, for expansion type, adjust +/- 0.050".

TURNER[®]

Mounted Bearings

Turner mounted bearings are a product of Baart Industrial Group (Baart). While Baart has tried to ensure the accuracy of the information contained in this document, Baart accepts no responsibility for inaccuracies in, or changes to, such information. All rights reserved. ©2018